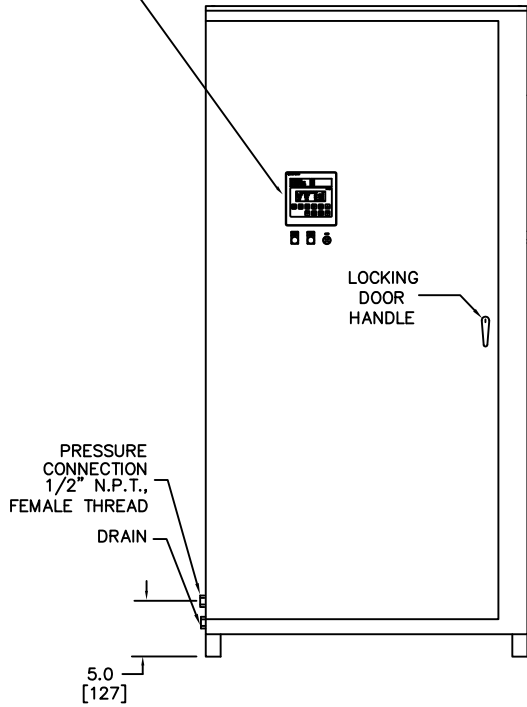


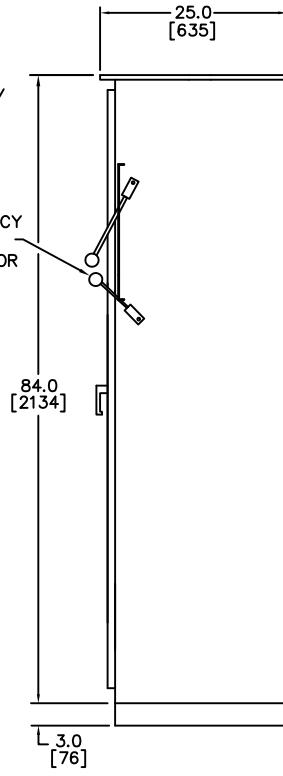
OPERATOR
INTERFACE
DEVICE/OID



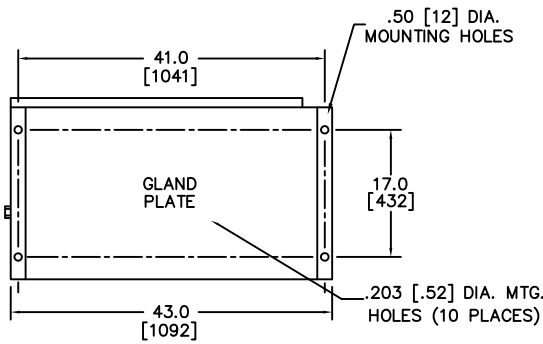
FRONT VIEW

CIRCUIT BREAKER/
ISOLATION SWITCH
OPERATOR

EMERGENCY
START
OPERATOR

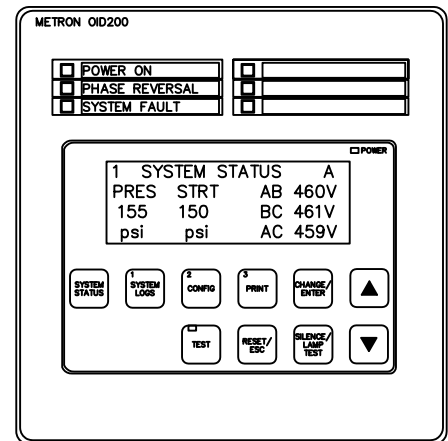


SIDE VIEW



BOTTOM VIEW

PILOT DEVICE DETAIL



VOLTAGE	HORSEPOWER
220-240V	300HP
440-480V	600HP



NOTES:

ALL DIMENSIONS IN INCHES
AND MILLIMETERS ([])

NEMA 2 ENCLOSURE.

DRAWING CHECKED BY:	DRAWN <i>S.R.</i>	2-10-98	<p>METRON A Division of: Hubbell ICD, Inc. 4301 Cheyenne Dr., Archdale, NC 27263</p>
DATE	CHECK <i>K.H.</i>	2-21-98	
	APPD <i>X.B.</i>	2-21-98	
ENCLOSURE DIMENSIONS MODEL MP300 43" CABINET, 23" DEEP ELECTRIC FIRE PUMP CONTROLLER			<p>OPTIONS:</p> <p>CD35006</p>
SCALE N.T.S.			SHEET 1 OF 1